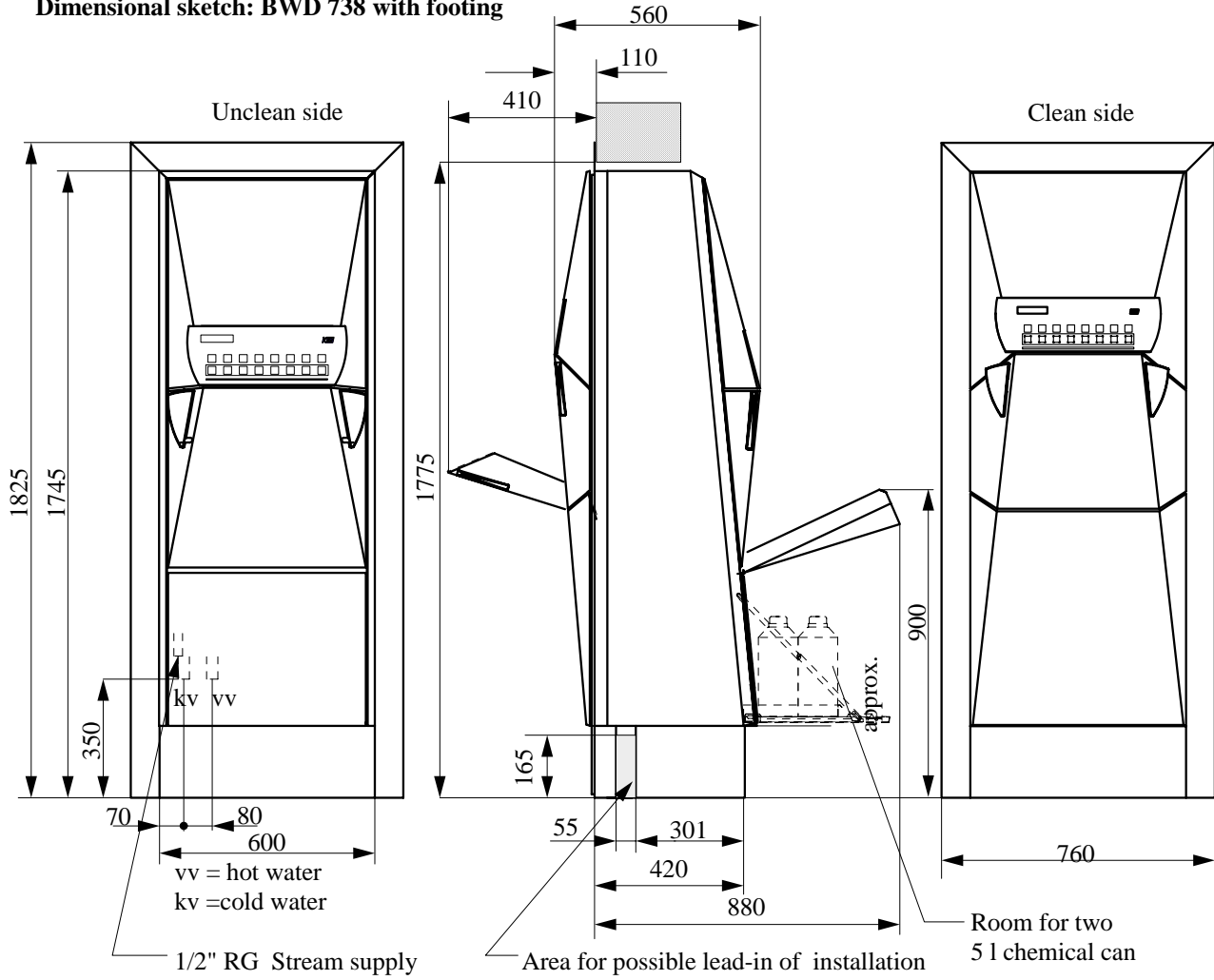


Technical description

Dimensional sketch: BWD 738 with footing

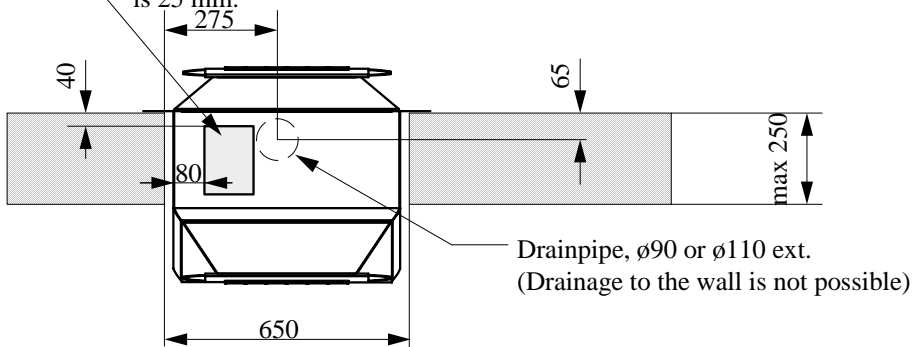


h = max. 300 mm

w = max. 130 mm

l = max. 200 mm

Area for possible lead-in of installation from floor (130x180mm)
The maximum height above floor for water and discharge fittings is 25 mm.



Electricity and water are connected either through a cavity wall in the footing, or through the floor under the machine.

El-connection
3 m. installation cable
without a plug is included.

Water is connected by
means of flexible hoses
(not included in the
KEN supply)

Must be located in a room with a floor drain!